

GENERAL FEATURES

- TORK series PL1010 pulse valves are 2/2 way normally closed.
- Suitable for air
- G 3/4" and G 1" connection
- The pulse valves are especially designed for dust collector service application or similar systems
- Compact design, high reliability, flow rate, quality and performance; long life .
- Extremely fast opening and closing
- Working Temperature:-20°C...80°C
- **Minimum operating differential pressure 0,5 bar**
- On request; with electronic timer
- TORK pulse valves satisfy relevant 97/23/EC, Pressure Equipment Directive (PED) and 2006/95/EEC Low Voltage Directive (LVD).
- Some application; dust filters, bunkers, dust extractors, electrostatic painting cabinets
- Coils interchangeable
- Flow factor Kv of each valve is indicated, so that the flow Q can be calculated as a function of pressure
- Pulse valves must be used with filtered fluids.
- Pulse valve can be mounted in any position without affecting operation; vertical with coil upwards preferred.
- Standard pipe connection is G (BSP) (ISO 228-1) and on request; other pipe connections are available (NPT (ANSI 1.20.3))

Normally Closed



ELECTRICAL CHARACTERISTICS

Continuous Duty	: ED %100
Coil Insulation Class	: H (180°C)
Coil Impregnation	: Polyester Fiber Glass
Coil Encapsulation Material	: Fiber Glass Reinforced
Ambient Temperature	: from -20°C...80°C
Protection Degree	: IP 65 (EN 60529) with coil duly fitted with the plug connector
Electric Plug Connection	: DIN 46340 3-poles connectors (DIN 43650)
Connector Specification	: ISO 4400 / EN 175301-803, Form A, Spade plug (Cable Ø 6-8 mm)
Electrical Safety	: IEC 335
Standard Voltages	: For AC 12V, 24V, 48V, 110V, 230V For DC 12V, 24V, 48V, 110 V

Other voltages on request;
Voltage Tolerances : ±10%
Frequency : 50 / 60 Hz
On request; connector with LED
Specify coil voltage with order



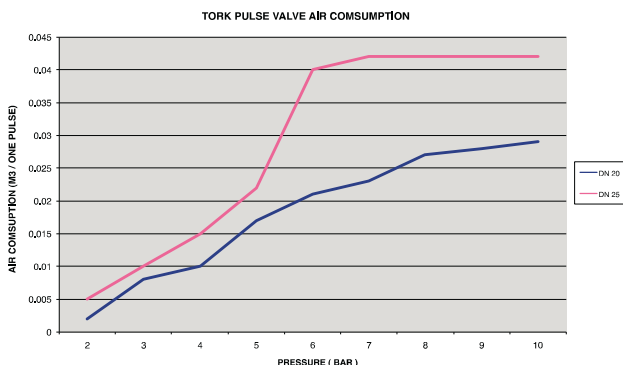
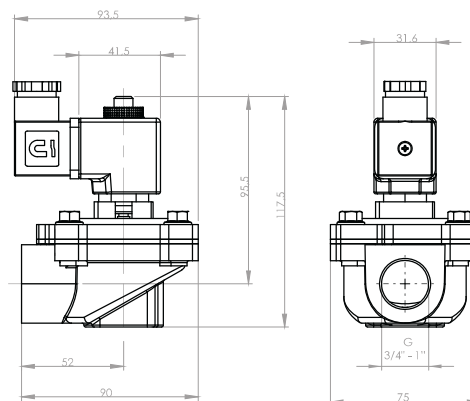
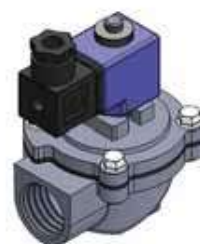
MATERIALS IN CONTACT WITH FLUIDS

Body	: Aluminium	Response Time	: Opening Time:100 ms, Closing Time :100 ms
Internal Parts	: Stainless Steel		
Sealing	: Neoprene		
Shading Ring	: Copper		
Seats	: Aluminium		
Core Tube	: Stainless Steel		
Springs	: Stainless Steel		

Air consumption example of G1" Pulse Valves;
Pressure: 6 bar; 50 cycles/hour
Air consumption for G1" at 6 bars is read from the table as 0,43 m³/s.
In case the pulse valve opens for 0,1 second, air consumption at one pulse is 0,43 x 0,1 : 0,043 m³
For 50 cycles/hour, the total air consumption is 0,043 x 50 : 2,15 m³/h



Application, TORK pulse valve



Valve Type / Order no	Connection Size	Orifice size	Pressure		KV	Fluid Temperature		Seal	Weight
			min	max		min	max		
PL1010	G	mm	bar	bar	lt/min	min	max		(kg)
PL 1010.04	3/4"	25	0.5	8	150	-20	80	NEOPRENE	0.69
PL 1010.05	1"	25	0.5	8	270	-20	80	NEOPRENE	0.68