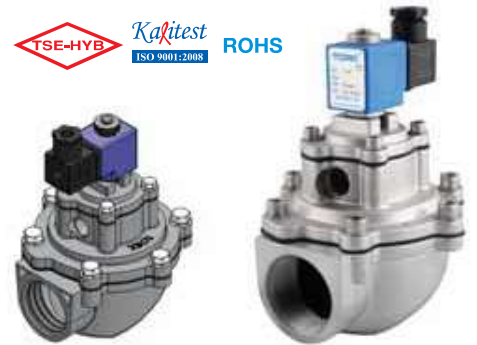


GENERAL FEATURES

- **TORK series PL1010 pulse valves are 2/2 way normally closed .**
- **Suitable for air**
- **G 1 1/2", G 2", G 2 1/2" and G 3" connection**
- **The pulse valves are especially designed for dust collector service application or similar systems**
- Compact design, high reliability, flow rate, quality and performance; long life .
- Extremely fast opening and closing
- Working Temperature: -20°C. . . 80°C
- **Minimum operating differential pressure 0,5 bar**
- On request; with electronic timer
- TORK pulse valves satisfy relevant 97/23/EC, Pressure Equipment Directive (PED) and 2006/95/EEC Low Voltage Directive (LVD).
- Some application; dust filters, bunkers, dust extractors, electrostatic painting cabinets
- Coils interchangeable
- Flow factor Kv of each valve is indicated, so that the flow Q can be calculated as a function of pressure
- Pulse valves must be used with filtered fluids.
- Pulse valve can be mounted in any position without affecting operation; vertical with coil upwards preferred.
- Standard pipe connection is G (BSP) (ISO 228-1) and on request; other pipe connections are available (NPT (ANSI 1.20.3))

Normally Closed



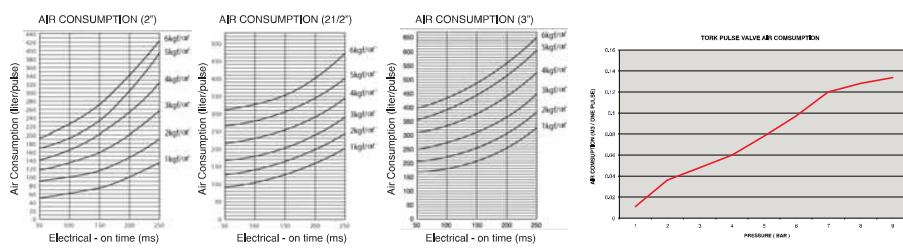
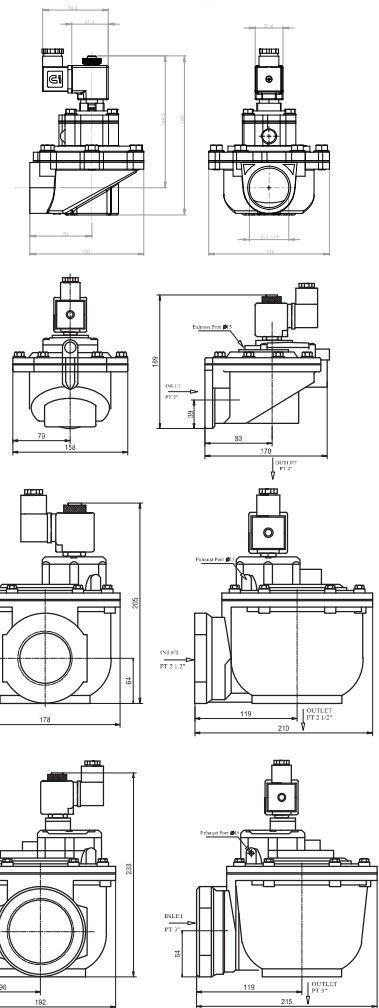
ELECTRICAL CHARACTERISTICS

Continuous Duty : ED %100
 Coil Insulation Class : H (180°C)
 Coil Impregnation : Polyester Fiber Glass
 Coil Encapsulation Material : Fiber Glass Reinforced
 Ambient Temperature : from -20°C. . . 80°C
 Protection Degree : IP 65 (EN 60529) with coil duly fitted with the plug connector
 Electric Plug Connection : DIN 46340 3-poles connectors (DIN 43650)
 Connector Specification : ISO 4400 / EN 175301-803, Form A, Spade plug (Cable Ø 6-8 mm)
 Electrical Safety : IEC 335
 Standard Voltages : For AC 12V, 24V, 48V, 110V, 230V
 For DC 12V, 24V, 48V, 110 V

Other voltages on request;
 Voltage Tolerances : ±10%
 Frequency : 50 / 60 Hz
 On request; connector with LED
 Specify coil voltage with order

MATERIALS IN CONTACT WITH FLUIDS

Body : Die Cast Aluminium Response Time : Opening Time: 100 ms,
 Internal Parts : Stainless Steel Closing Time : 100 ms
 Sealing : NBR and NEOPRENE
 Shading Ring : Copper
 Seats : Aluminium
 Core Tube : Stainless Steel
 Springs : Stainless Steel



Valve Type / Order no	Connection Size	Orifice size	Pressure		KV	Fluid Temperature		Seal	Weight
			min	max		min	max		
PL1010	G	mm	bar	bar	lt/min	min	max		(kg)
PL 1010.07	1 1/2"	44	0.5	8	774	-20	80	NEOPRENE	1.40
PL 1010.08	2"	50	0.5	9.8	1065	-20	80	NBR	2.25
PL 1010.09	2 1/2"	65	0.5	9.8	1378	-20	80	NBR	3.47
PL 1010.10	3"	80	0.5	9.8	2040	-20	80	NBR	3.8